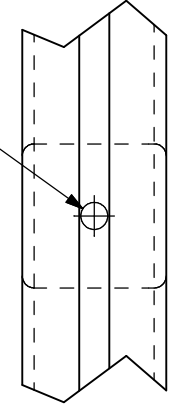
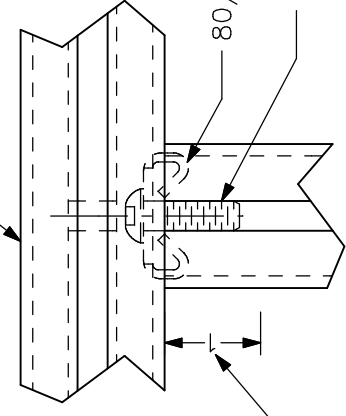


9/32" DIA. ACCESS HOLE



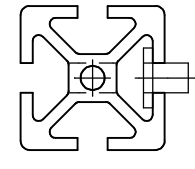
15 SERIES 80/20



TAP END OF 80/20
5/16-18NC, 1" DEEP

80/20 PART # 3380

5/16-18NC, 1" BUTTON HEAD
INCLUDED WITH 3380



ASSEMBLY

NOTES:

1. PURCHASED PART FROM 80/20
2. ACCESS HOLE TO TIGHTEN SCREW REQUIRED
3. END OF 80/20 MUST BE TAPPED FOR SCREW
4. END ACCESS REQUIRED TO INSERT CLIP
5. USE 80/20 JIG PART # 6075 TO DRILL THE 9/32" HOLE

ORTON DESIGN

CONNECTOR "H" - STANDARD END FASTENER

MATERIAL - 80/20 PART # 3380

HALF

ODJ127-46